

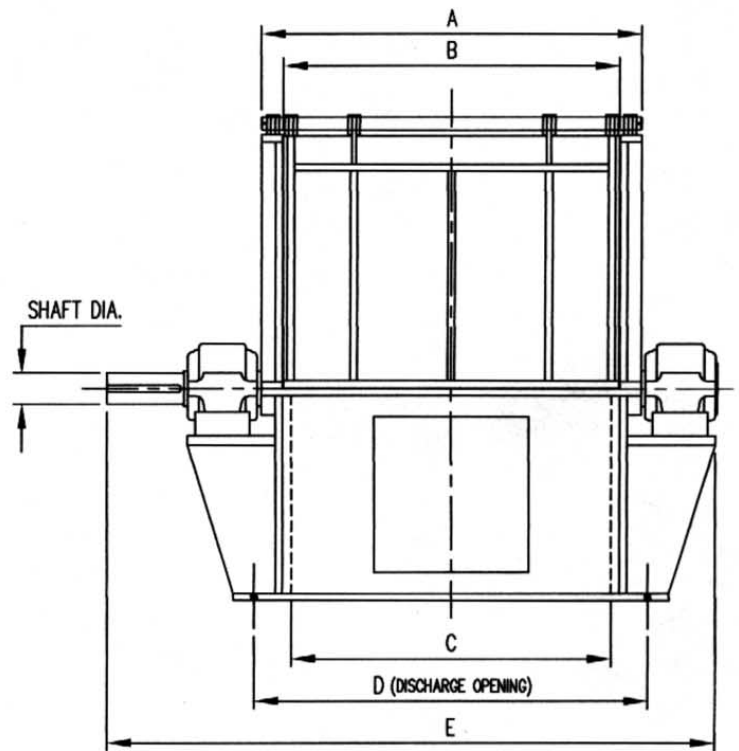
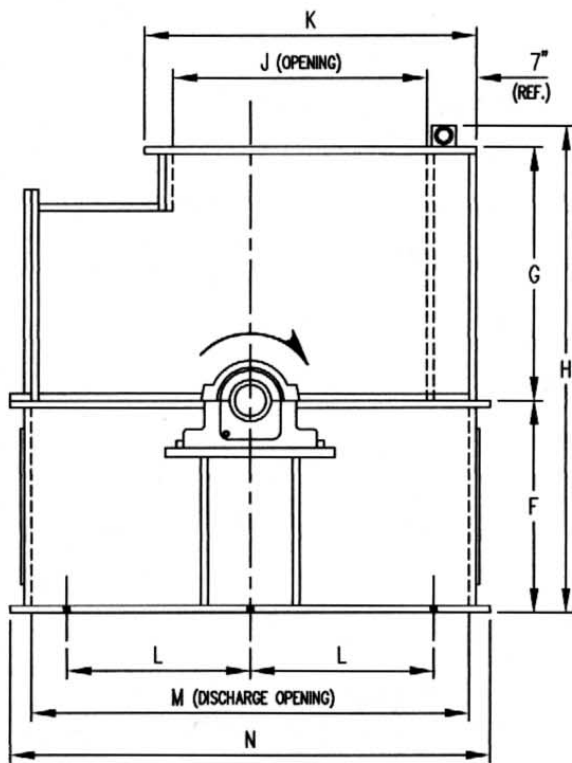
HAMMER HOG



progress industries inc.

U.S. 11-Vann Rd. • P.O. Box 29
Trussville, AL 35173-0029
205 655-8875 • fax 205 655-8884
<http://www.progressindustries.com>

SPECIFICATIONS



DIMENSIONS (inches)

MODEL	A	B	C	D	E	F	G	H	I	J	K	L	M	SHAFT DIA	MAX CAPACITY TON/HR
1818	23 1/2	17 1/2	16 1/2	25	47	17 1/2	20	40 1/2	18	27 1/2	16	36	41	3 7/16	8
2427	35	27	26 1/2	37	66 5/8	24	30	57	24	35	20	50	56	3 15/16	18
2436	44 1/2	36 1/2	36	46 1/2	76 1/8	24	30	57	24	35	20	50	56	4 3/16	28
2445	54	46	45 1/2	56	86 1/2	24	30	57	24	35	20	50	56	4 7/16	38
2455	63 1/2	55 1/2	55	65 1/2	97 1/4	24	30	57	24	35	20	50	56	4 15/16	48
3636	44 1/2	36 1/2	36	46 1/2	76 1/8	30	36	69	36	47	26	62	68	4 3/16	38
3645	54	46	45 1/2	56	86 1/2	30	36	69	36	47	26	62	68	4 7/16	48
3655	63 1/2	55 1/2	55	65 1/2	97 1/4	30	36	69	36	47	26	62	68	4 15/16	58

We reserve the right to modify our design without notice.

PROGRESS HAMMER HOG-STRONG AND RELIABLE

Using the highest quality construction materials and manufacturing techniques, Progress hogs are built to provide a long and reliable operating life. Its design provides maximum production time and minimum maintenance expense.



HOUSING

Constructed from heavy duty plate steel and protected by steel wear plates that are easily replaceable and fabricated of an all steel rigid box construction. The entire inside surface of the hog is protected by easily replaceable 1" and 1 1/2" wear plates. Housing gate allows access to entire inside of hog. Other access doors are located on different sides of the housing for specific part replacement and adjustments.

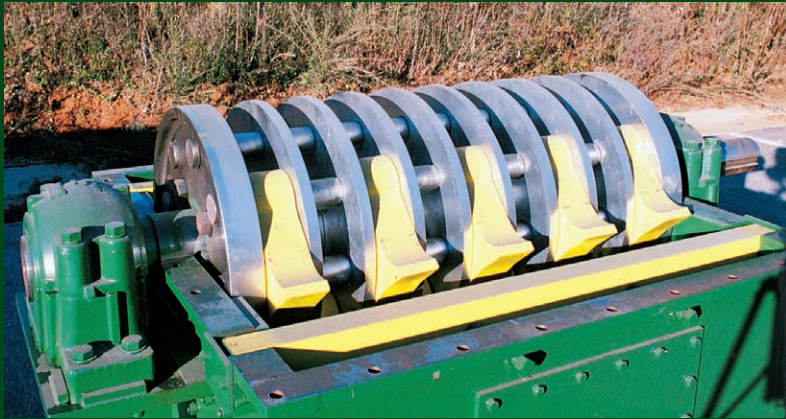


progress industries inc.

HAMMER HOG

ROTOR AND HAMMERS

Constructed with a heavy duty shaft machined from high alloy steel, the rotor offers a superior ability to process large pieces of wood and to handle surge loads without external flywheels or oversized motors, the hammers are built for exceptional wear life. They are reversible and replaceable.



GRIDS AND ANVILS

Grids are constructed of T1 steel and can be interchanged for extended wear. Different sizes are available to meet particle-size requirements. The four sided-anvil can be easily rotated or replaced when necessary.

