

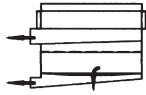
HI-SPEED SCREEN



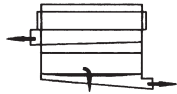
progress industries inc.

U.S. 11-Vann Rd. • P.O. Box 29
Trussville, AL 35173-0029
205 655-8875 • fax 205 655-8884
<http://www.progressindustries.com>

SPECIFICATIONS



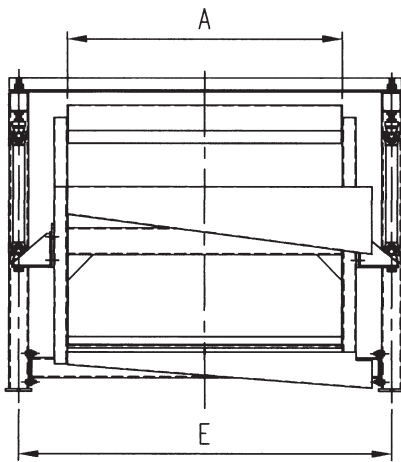
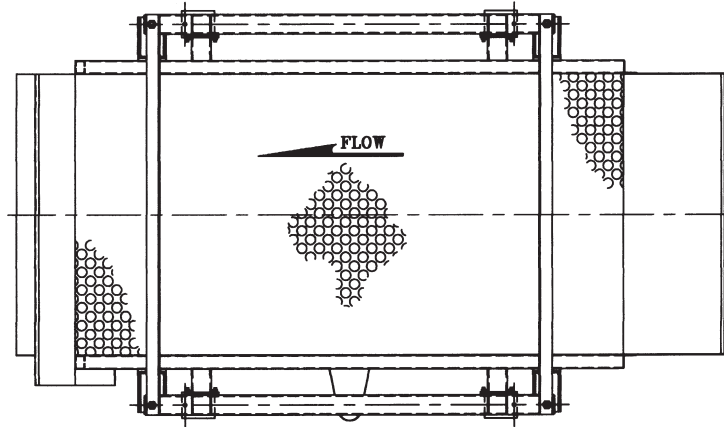
ALTERNATE No. 2 DISCHARGE ASS'Y
OVERS R.H., FINES R.H.



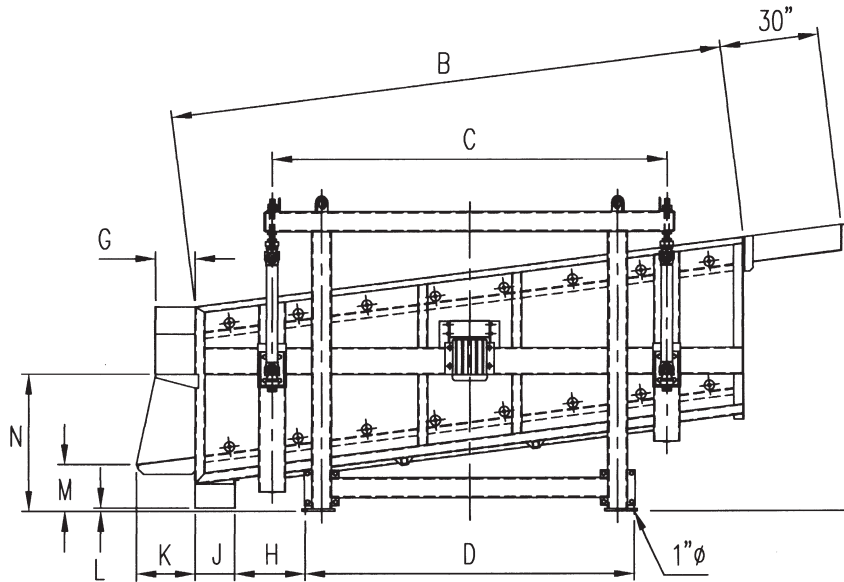
ALTERNATE No. 3 DISCHARGE ASS'Y
OVERS R.H., FINES L.H.



ALTERNATE No. 4 DISCHARGE ASS'Y
OVERS L.H., FINES R.H.



ALTERNATE No. 1 DISCHARGE ASS'Y
OVERS L.H., FINES L.H.



drawing was cut off here please make sure all shows

Note: Screen is base-mounted. Screens can be suspended from building overhead structures. Drive mounted on right or left.

DIMENSIONS (inches)

Screen	A	B	C	D	E	F	G	H	J	K	L	M	N	capacity units/hr	H.P.
5x10	5'-0"	10'-0"	7'-0"	5'-4"	7'-6"	6'-4 3/4"	12"	9 1/4	15 1/2"	12"	3"	15 1/2 "	41"	26	7 1/2
6x12	6'-0"	12'-0"	8'-0"	6'-4"	8'-6"	6'-10"	12"	6 1/2	21 1/2"	12"	4 1/2"	15 3/4 "	44 1/2"	30	7 1/2
7x14	7'-0"	14'-0"	10'-0"	8'-4"	9'-6"	7'-1 3/4"	12"	6 1/2	21 1/2"	18"	1"	14 "	41"	46	7 1/2
8x18	8'-0"	18'-0"	13'-0"	11'-4"	10'-6"	8'-3 1/2"	12"	9	27 1/2"	18"	2 3/4"	15 3/4 "	50"	60	15
10x20	10'-0"	20'-0"	14'-0"	12'-4"	12'-6"	8'-9"	18"	9	27"	18"	3"	18 "	51 1/2"	86	15

We reserve the right to modify our design without notice.

*Additional sizes available upon request

**Unit = 200 cu. ft. loose chips

HI-SPEED SCREEN

The Progress Hi-Speed Screen is designed to operate at optimum speed for high capacity chip sorting and fines removal at 300 RPM. The high speed prevents chips from clinging to the screen surface, reducing the chances of binding and carry-over.



BALANCED, RELIABLE AND LONG-LASTING

The screen is balanced by design and it is this balance that allows the screen to operate at high speeds. Minimal vibration is transmitted to the support structure, and the building and nearby equipment are not disturbed. The smooth operation also ensures the screens are extremely, reliable and long-lasting. This gives you an excellent return on your investment.



progress industries inc.

HI-SPEED SCREEN



THE DRIVE

The screen drive uses a standard 1800 RPM TEFC electric motor (1500 RPM out of North America) with a single reduction belt drive. Belt replacement is simply a matter of slipping the old belt off and installing the new one. The eccentric system uses a live shaft turning in a large tapered roller bearing that is pressed on a specially designed housing. The bearing has been designed for a minimum of 10,000 hour operation.



Screens are available in one, two and three separation styles. Perforated plates are sized according to application in round or square holes. Some of the most common discharge arrangements are shown on back cover page. The screen shown is base-mounted but can be suspended from overhead eliminating the need of structural supports. The screen is suspended by four simple and effective hanger assemblies. Each hanger is equipped with a pair of anti-friction universal joints. Motor drive can be mounted on either side of chip screen.