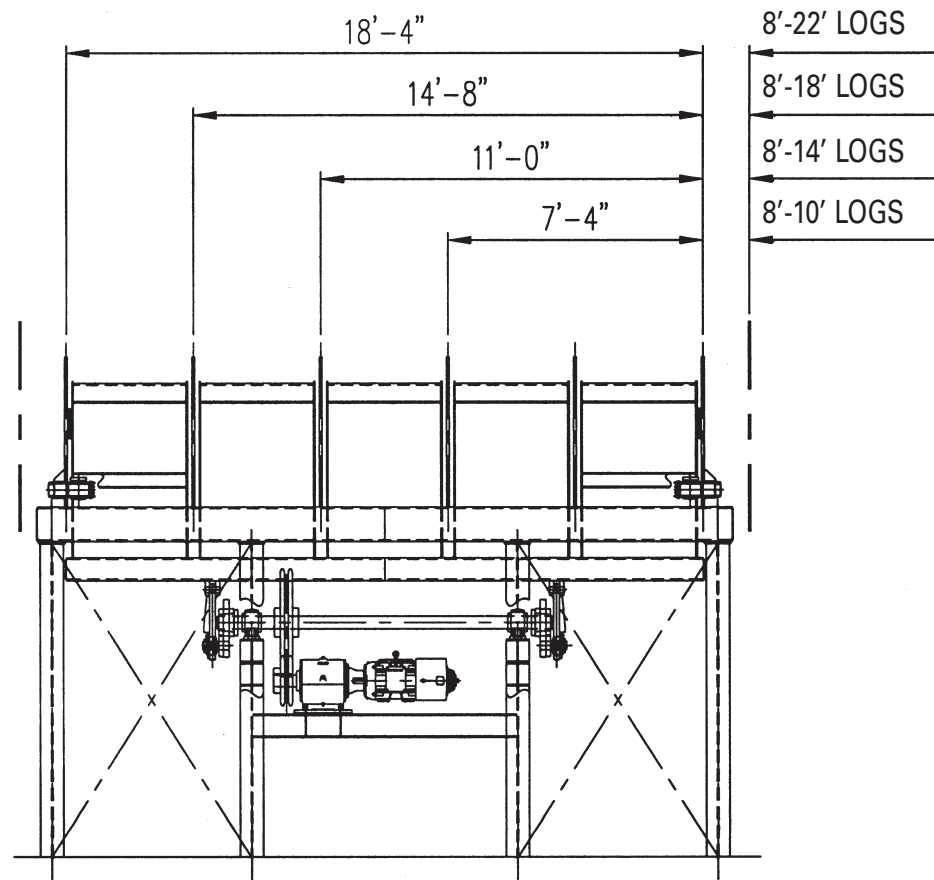
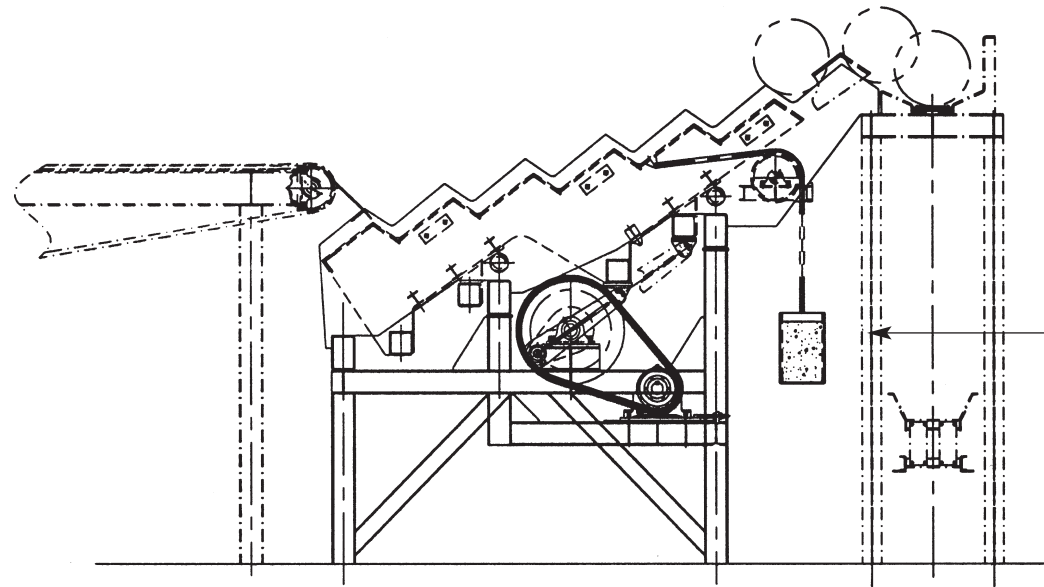


SPECIFICATIONS

STEP SINGULATOR



Different sizes available from 4' to tree length.

We reserve the right to modify our design without notice.



progress industries inc.

U.S. 11-Vann Rd. • P.O. Box 29
Trussville, AL 35173-0029
205 655-8875 • fax 205 655-8884
<http://www.progressindustries.com>

STEP SINGULATOR

STEP SINGULATOR

The Progress Singulator is a log sorting system placed between a log deck and a conveyor to handle the log supply. It is capable of handling the widest range of log mix, from 3" to 30" in diameter and from 4' to tree length. The Step Singulator consists of fixed and movable steps acting in a reciprocating motion.

The singulator is capable of handling surge accumulation, without the need of additional assistance in most cases because it is first a log unscrambler.

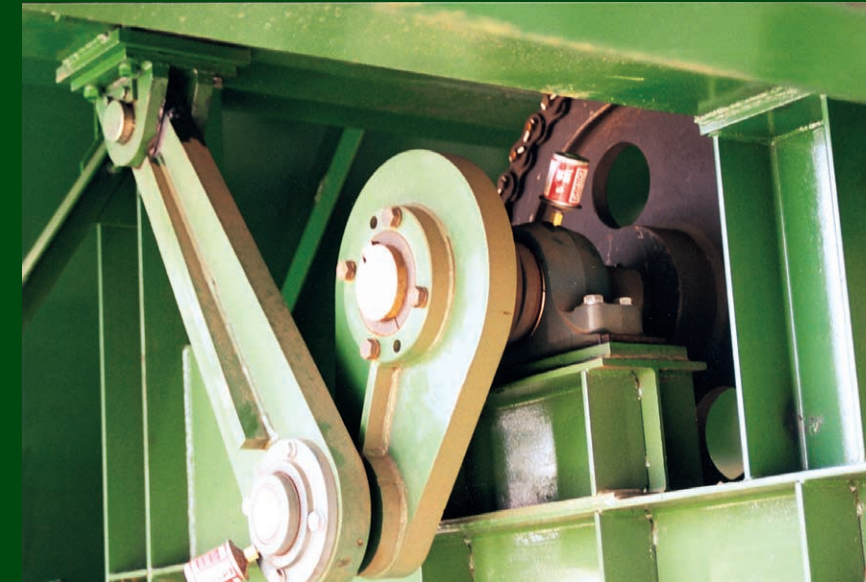
It straightens out logs laying crossed, or jackstrawed, on the surge pocket, in the normal course of operation.

This allows the Step Singulator to feed one log at a time, eliminating the need for further separation.



The Step Singulator is available in 35 and 50 degree elevations.

Custom models are available to suit customer requirements.



THE DRIVE

An Electric Flux vector drive and reducer is used to power the Step Singulator.

A wheel and crank arm activates a Back and forth motion. The counterweight design is used to reduce horsepower.

The combination of this complete drive arrangement makes it simple and trouble free.

The Step Singulator is constructed for heavy-duty operation and requires very little maintenance due to a rigid design and few moving parts. It unscrambles and singulates at speeds up to 50 cycles per minute on 8' logs.

OPTIONS:

- Even ending rolls
- Laser log gap control

