

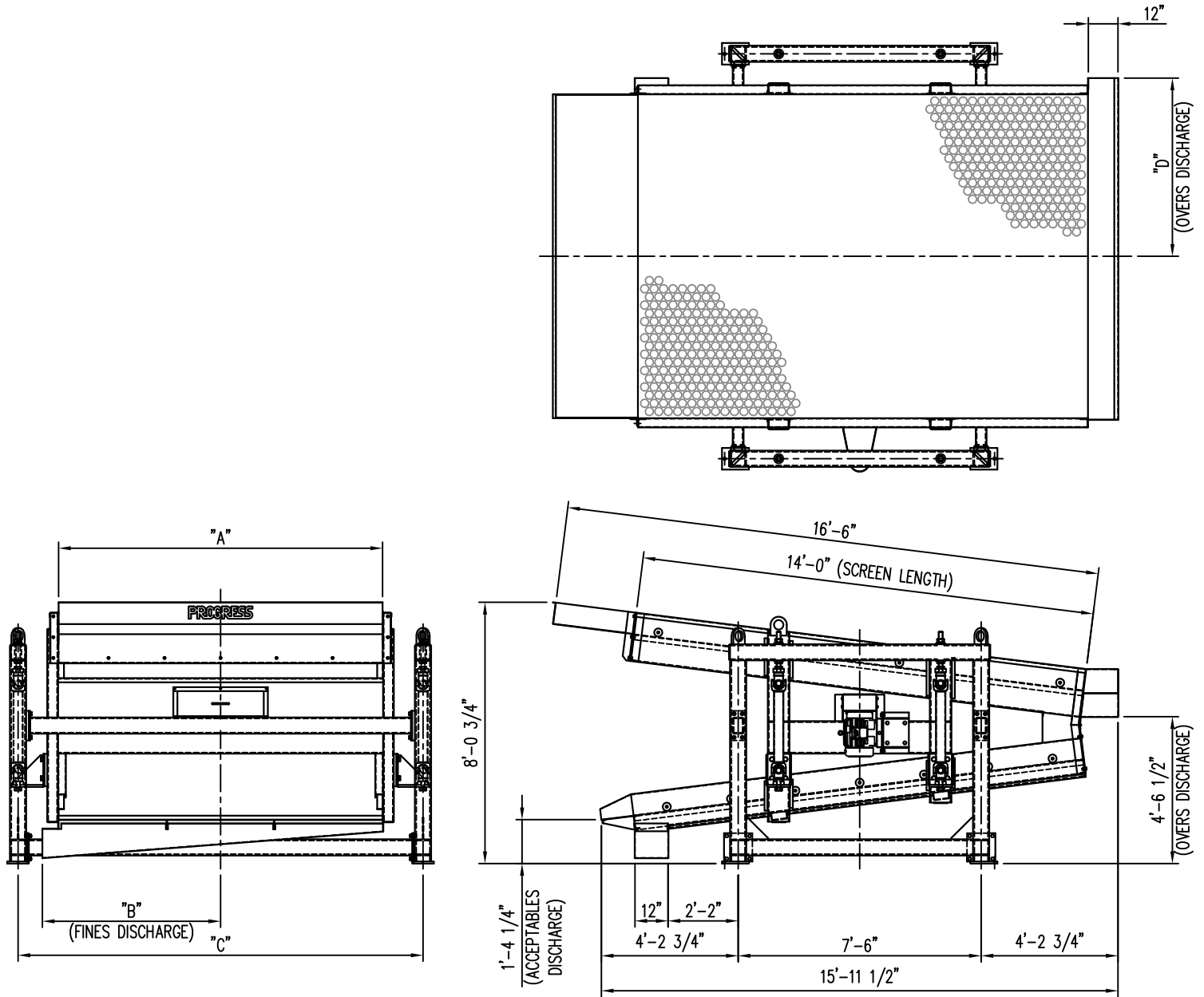
HI SPEED COUNTERFLOW SCREEN



progress industries inc.

U.S. 11-Vann Rd. P.O. Box 29
Trussville AL 35173-0029
205 655-8875 fax 205 655-8884
<http://www.progressindustries.com>

SPECIFICATIONS



NOTE:

THE OVERS DISCHARGE, THE FINES DISCHARGE AND THE DRIVE ASSEMBLY CAN BE MOUNTED ON EITHER SIDE OF THE SCREEN.

* (1) TON = 100 CUBIC FT LOOSE PACKED CHIPS
 HAVING A DENSITY OF 20 LBS/CUBIC FT
 (1) UNIT = 200 CUBIC FT = (2) TONS

SCREEN SIZE	"A"	"B"	"C"	"D"	CAPACITY TONS/HR *
5' X 14'	5'-0"	3'-0"	7'-6"	3'-0"	50
6' X 14'	6'-0"	3'-6"	8'-6"	3'-6"	60
7' X 14'	7'-0"	4'-0"	9'-6"	4'-0"	68
8' X 14'	8'-0"	4'-6"	10'-6"	4'-6"	78
9' X 14'	9'-0"	5'-0"	11'-6"	5'-0"	88
10' X 14'	10'-0"	5'-6"	12'-6"	5'-6"	98

We reserve the right to modify our design without notice.
 Additional sizes available upon request